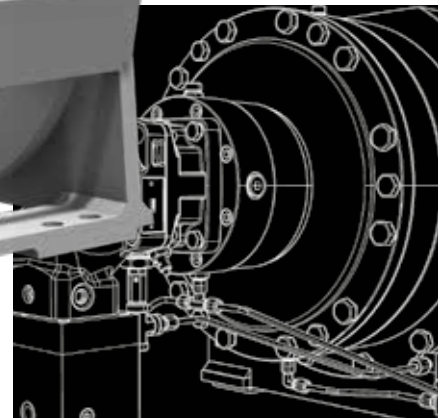
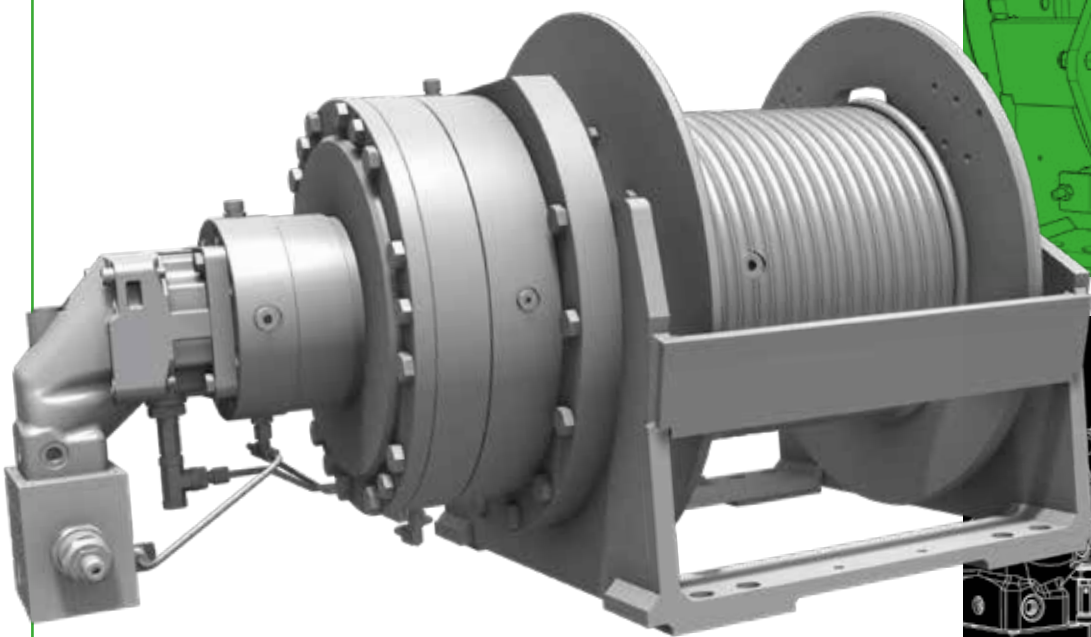
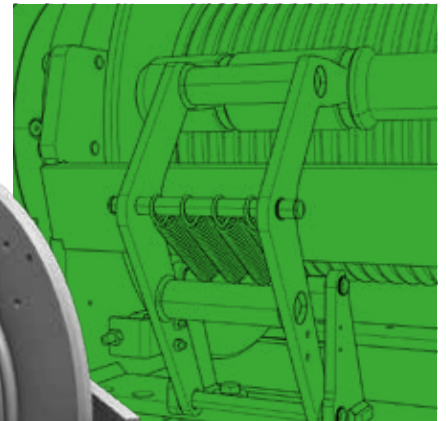
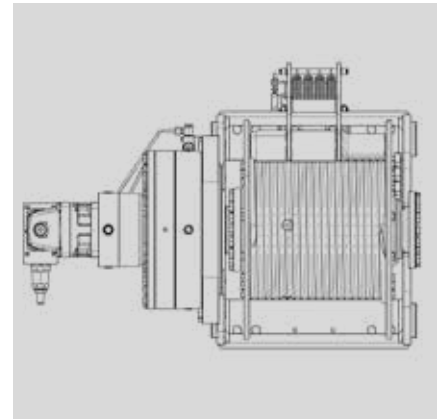




PL

PERSONNEL LIFTING
HYDRAULIC WINCHES





PL

PERSONNEL LIFTING HYDRAULIC WINCHES

TMA designs and manufactures customized winches to fully meet each individual application requirements.

Each winch is dimensioned to comply with the rules pertaining to personnel lifting. Hoisting capacity in personnel lifting mode is up to 50% of the cargo hoisting capacity.

Personnel lifting hydraulic winches have drums, gearboxes, motors and valves individually selected, based on the PL winch range. The result is a winch, which guarantees the highest levels of safety and reliability.

This range is suitable for marine applications, with stainless steel rope tensioners and marine surface treatments.

A wide range of accessories is available to complete the products: wire rope, pulley block, hook, tension roller, lower limit switch, load limiting device.

Special solutions, developed by TMA, allow for the installation of load limiting device or load detection device even on personnel lifting winches, where the secondary brake holds the drum.

VERSION

Grooved Drum	Class Approved
Special Grooved Drum	Surface Marine Treatment
Special Length Drum	Surface Flame Metallizing
ATEX (Ex II 2G Ex h IIC T4 Gb)	Tension Roller in Stainless Steel
ATEX (Ex II 3G Ex h IIA T3 Gc)	

ACCESSORIES

- Wire Rope
- Pulley Block
- Hook
- Tension Roller
- Lower Limit Switch
- Spooling Device
- Load Limiting System
- Load Detection System
- Emergency Lowering
- MOPS
- AOPS
- Constant Tension

PL Winch Model	Line pull 1 st Layer kg	Working Pressure bar	Max Line Speed m/min	Oil Fow l/min	Drum Diameter mm	Cable Diameter mm	Drum Capacity m
PL - 1	2000	175	37	80	290	13	220
PL - 2	3000	200	37	100	322	16	75
PL - 3	4000	160	30	100	366	18	100
PL - 4	5000	220	27	120	406	20	75
PL - 5	6000	250	28	120	418	22	100
PL - 6	7000	260	30	120	455	24	120
PL - 7	8000	290	38	220	505	26	120
PL - 8	10000	250	38	220	518	28	110