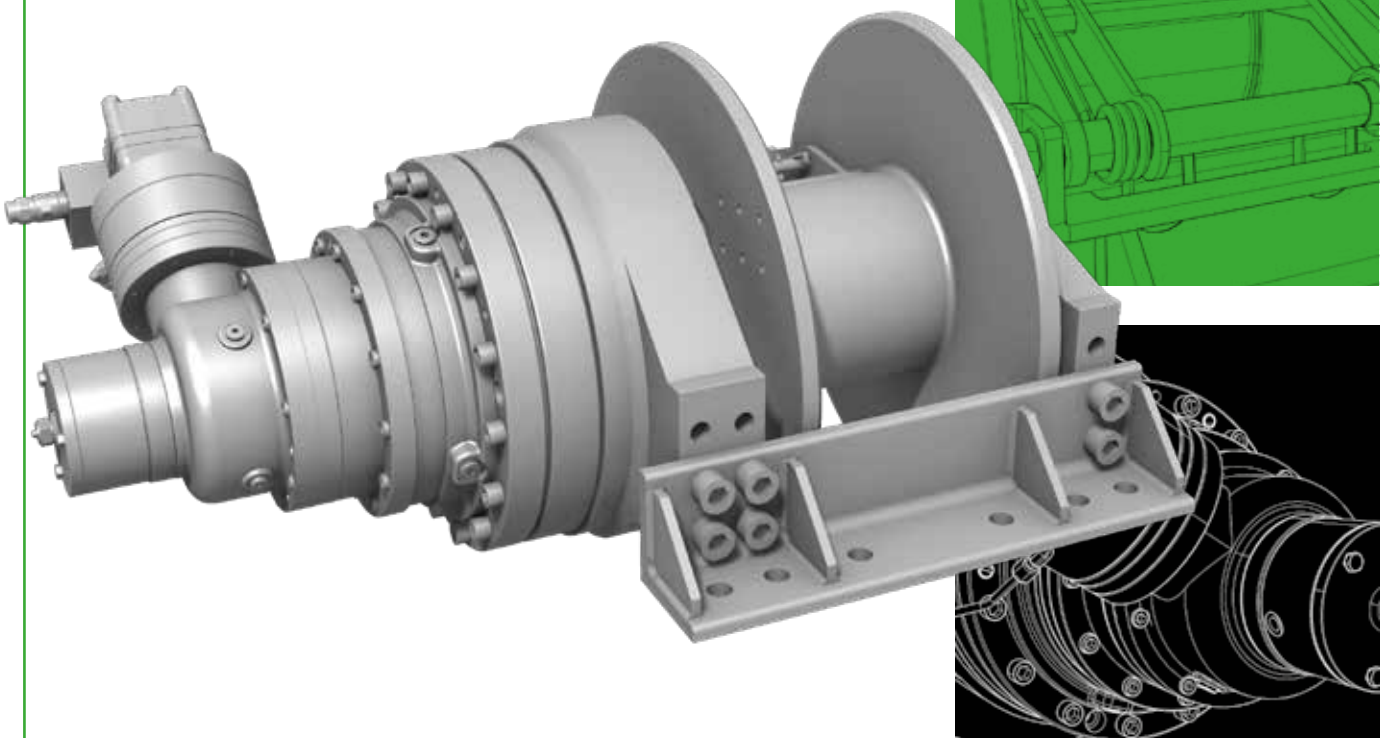
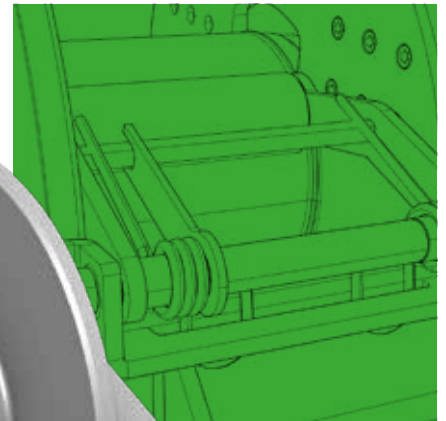
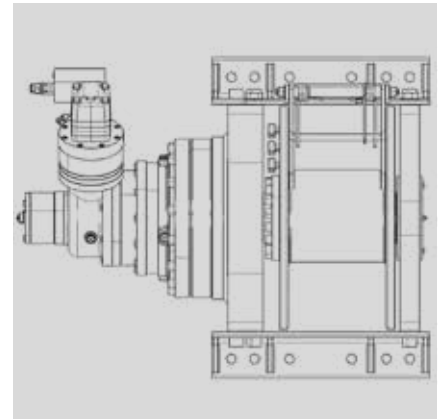




TMT RA

HYDRAULIC
PULLING WINCHES



TMT RA

HYDRAULIC PULLING WINCHES



TMA designs and manufactures customized winches to fully meet each individual application requirements.

Hydraulic pulling winches have drums, gearboxes, motors and valves individually selected, based on the TMT and RA winch ranges. The result is a pulling winch, which guarantees the highest levels of efficiency and reliability.

TMT winches have the motor in line, coaxial with the drum, whilst RA winches have the motor orthogonal with the drum. Both of the ranges can be equipped with a disengage device.

A wide range of accessories is available to complete the products: wire rope, pulley block, hook, tension roller, fairlead roller guides.

VERSION

Special Length Drum
Manual Disengage
Pneumatic Disengage

Hydraulic Disengage
Double Speed

ACCESSORIES

- Wire Rope
- Fairlead Rollers Guides

TMT Winch Model	Line pull 1 st Layer kg	Working Pressure bar	Max Line Speed m/min	Oil Fow l/min	Drum Diameter mm	Cable Diameter mm	Drum Capacity m
TMT - 50	5500	145	12	50	108	11	41
TMT - 75	7500	170	23	75	127	14	91
TMT - 90	10000	180	18	75	127	14	71
TMT - 100	12000	190	13	75	146	16	52
TMT - 150	15000	150	10	75	152	18	70
TMT - 200	22500	195	9	75	177	22	50
TMT - 250	25000	145	5	75	219	24	72
TMT - 300	30000	145	4	75	219	24	50

RA Winch Model	Line pull 1 st Layer kg	Working Pressure bar	Max Line Speed m/min	Oil Fow l/min	Drum Diameter mm	Cable Diameter mm	Drum Capacity m
RA - 100	10000	170	16	75	166	16	57
RA - 150	15000	165	9	75	202	18	51
RA - 200	20000	170	8	75	202	22	44
RA - 220	22500	190	7	75	202	22	26
RA - 300	30000	180	6	75	227	24	51

TMA s.r.l.

Via San Vito 221 - 41057 Spilamberto (MO) Italy | T +39 059 78 17 11 | F +39 059 78 16 06 | info@tmawinches.com | www.tmawinches.com