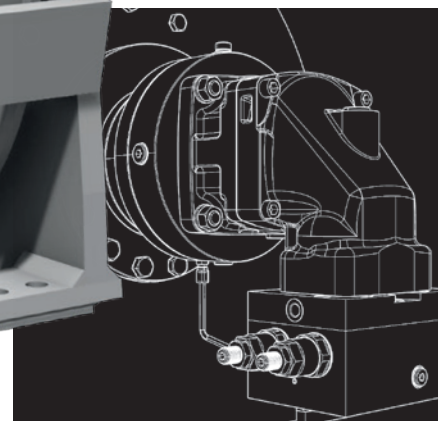
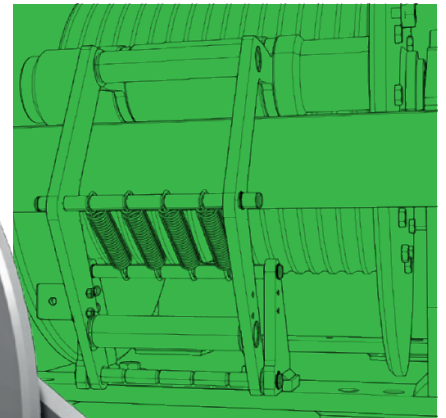
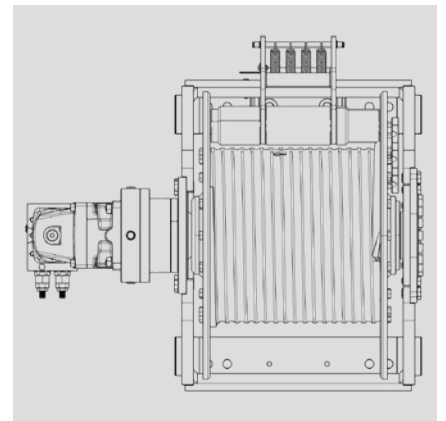
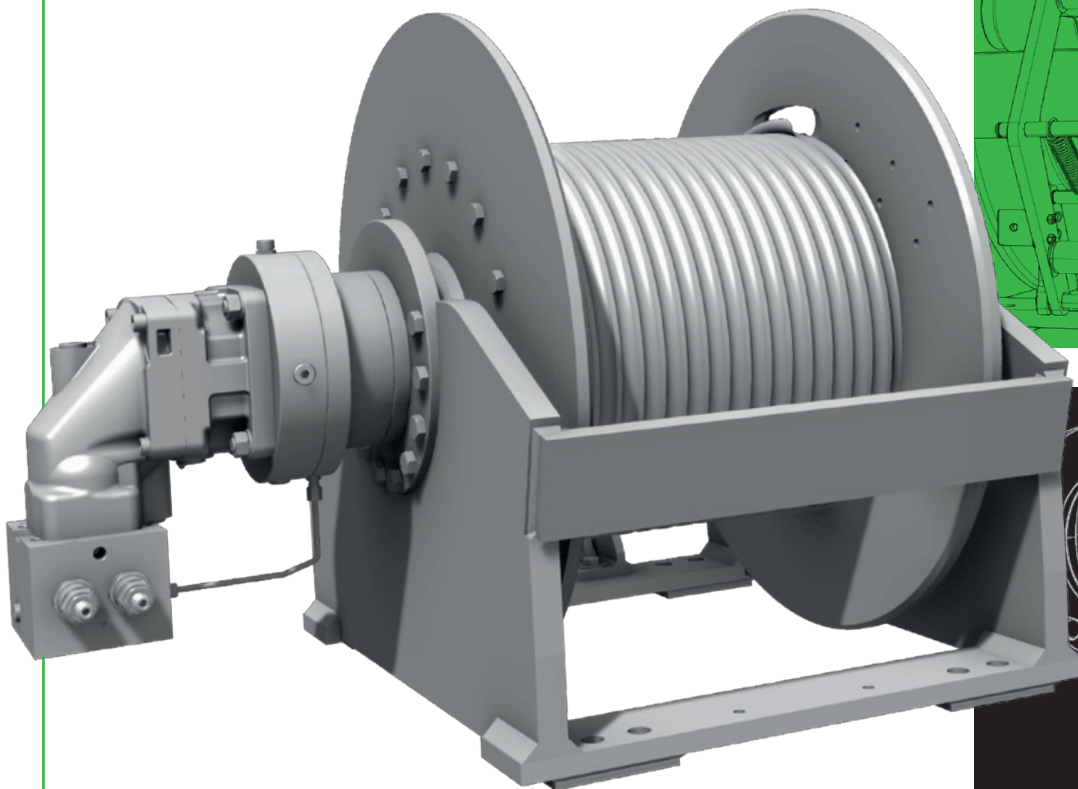




TMV TME

HYDRAULIC HOISTING
WINCHES



TMV TME

HYDRAULIC HOISTING WINCHES



TMA designs and manufactures customized winches to fully meet each individual application requirements.

Hydraulic hoisting winches have drum, gearbox, motor and valve specifically selected, based on the TMV and TME winch ranges. The result is a winch providing the best performance and reliability.

TMV winches are driven by an axial piston motor, whilst TME winches have an orbit motor. Both ranges have the brake outside drum, to simplify maintenance. Both of the ranges are available in marine version, with stainless steel rope tensioner and marine surface treatment. A wide range of accessories is available to complete the products: wire rope, pulley block, hook, tension roller, lower limit switch, load limiting system, spooling device, emergency lowering, MOPS, AOPS, constant tension.

VERSION

Grooved Drum	Class Approved
Special Grooved Drum	Surface Marine Treatment
Special Length Drum	Surface Flame Metallizing
ATEX (Ex II 2G Ex h IIC T4 Gb)	Tension Roller in Stainless Steel
ATEX (Ex II 3G Ex h IIA T3 Gc)	

ACCESSORIES

- Wire Rope
- Pulley Block
- Hook
- Tension Roller
- Lower Limit Switch
- Spooling Device
- Load Limiting System
- Load Detection System
- Emergency Lowering
- MOPS
- AOPS
- Constant Tension

TMV Winch Model	Line pull 1 st Layer kg	Working Pressure bar	Max Line Speed m/min	Oil Fow l/min	Drum Diameter mm	Cable Diameter mm	Drum Capacity m
TMV - 1	4500	270	54	100	298	15	83
TMV - 2	5500	280	57	120	322	16	99
TMV - 3	6500	275	47	120	366	18	104
TMV - 4	8500	285	55	180	405	20	108
TMV - 5	9500	285	49	180	418	22	118
TMV - 6	13500	285	42	220	455	24	121
TMV - 7	17000	275	38	250	505	26	139
TMV - 8	19000	280	30	250	555	30	110
TMV - 9	24000	260	36	400	608	36	142

TME Winch Model	Line pull 1 st Layer kg	Working Pressure bar	Max Line Speed m/min	Oil Fow l/min	Drum Diameter mm	Cable Diameter mm	Drum Capacity m
TME - 1	4500	195	47	120	298	15	83
TME - 2	5000	200	43	120	322	16	99
TME - 3	6000	200	31	120	366	18	104
TME - 4	7000	200	32	120	405	20	108
TME - 5	8500	195	25	120	418	22	118
TME - 6	11000	175	16	120	455	24	121

TMA s.r.l.

Via San Vito 221 - 41057 Spilamberto (MO) Italy | T +39 059 78 17 11 | F +39 059 78 16 06 | info@tmawinches.com | www.tmawinches.com